



INDUVAC

Side channel blower 720 series

The standard VACOM® design, with housing an impeller made of aluminum alloy, is a direct drive configuration, with a dynamically balanced impeller, fitted directly on the motor shaft. The impeller rotates inside of the stator housing with a very small clearance. The absence of lubricants guarantees a 100% oil free vacuum or compression. Construction features of the VACOM® side channel blower are the very reliable operation and low maintenance. VACOM® blowers are directly driven, impellers fixed directly on the drive shaft. Impeller bearing is installed in the front cover and easily to assemble and disassemble. Machines are small and lightweight. VACOM® blowers are already available with differential pressures up to 700 mbar and capacities of 2000 m³/ hr.



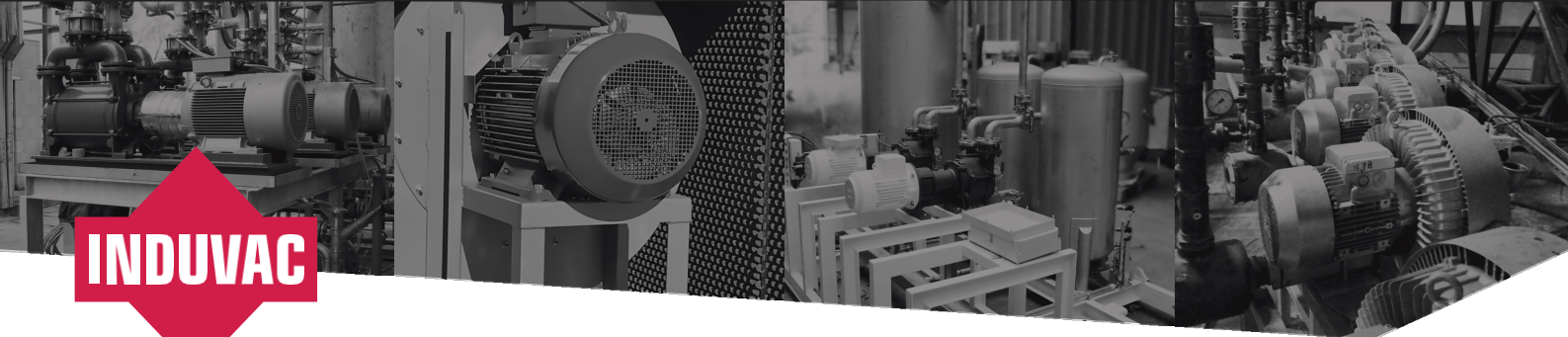
Features

- ◆ Available from stock
- ◆ Almost free of maintenance
- ◆ Low power consumption
- ◆ Oil free compression, no oil in the medium
- ◆ Made of aluminum, so low weight and high corrosion resistance.

Accessories

- ◆ Suction filter TGF (for vacuum)
- ◆ Suction filter VCFT (for compression)
- ◆ Pressure relief valve DB
- ◆ External silencer EGD
- ◆ Fittings
- ◆ Various: change valve, pressure gauge, non return valve

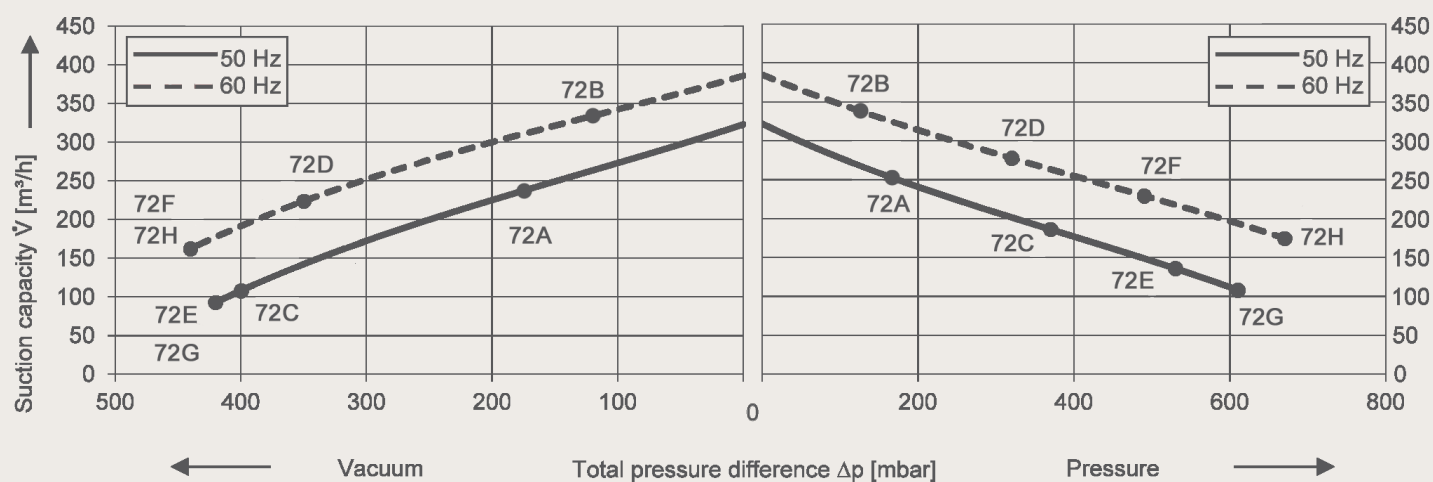




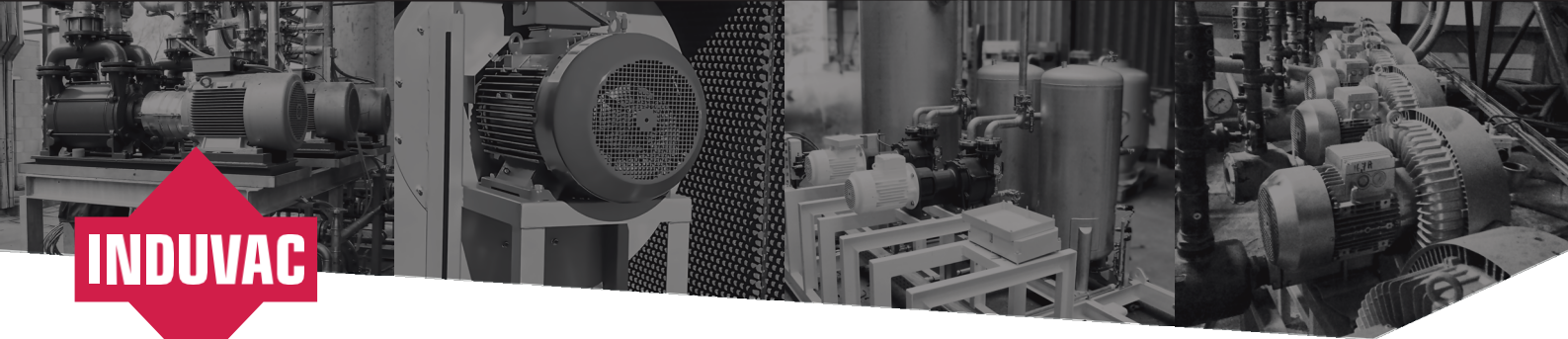
Technical data

Type No.	Curve No.	Freq. Hz	Power kW	Voltage		Current			Capacity m³/hr	Pressure difference		Sound level dB(A)	Connec- tion "G	Weight kg	
				V		A				Vacuum mbar	Pressure mbar				
VC 322-720	72A	50	2,50	220-240 Δ	380-420 Y	8,60	Δ	5,00	Y	320	-170	160	69	2	53
	72B	60	3,00	Δ	440-480 Y	7,70	Δ	5,20	Y	380	-130	120	73	2	53
		50	2,20	IE3	220-240 Δ	380-420 Y	7,70	Δ	4,40	Y					
		60	2,55	IE3	Δ	440-480 Y	7,70	Δ	4,40	Y					
VC 340-720	72C	50	4,60	380-420 Δ	660-725 Y	8,60	Δ	5,00	Y	320	-400	360	67	2	65
	72D	60	5,30	440-480 Δ	Y	8,50	Δ	Y	Y	380	-350	320	71	2	65
		50	4,00	IE3	380-420 Δ	660-725 Y	7,40	Δ	4,30	Y					
		60	4,60	IE3	440-480 Δ	Y	7,40	Δ	Y	Y					
VC 355-720	72E	50	6,30	380-420 Δ	660-725 Y	11,80	Δ	6,80	Y	320	-420	530	71	2	75
	72F	60	7,30	440-480 Δ	Y	12,00	Δ	Y	Y	380	-440	490	75	2	75
		50	5,50	IE3	380-420 Δ	660-725 Y	10,10	Δ	5,80	Y					
		60	6,30	IE3	440-480 Δ	Y	10,00	Δ	Y	Y					
VC 375-720	72G	50	8,60	380-420 Δ	660-725 Y	15,50	Δ	8,90	Y	320	-420	610	71	2	87
	72H	60	9,90	440-480 Δ	Y	15,30	Δ	Y	Y	380	-440	670	75	2	87
		50	7,50	IE3	380-420 Δ	660-725 Y	13,50	Δ	7,80	Y					
		60	8,60	IE3	440-480 Δ	Y	13,40	Δ	Y	Y					

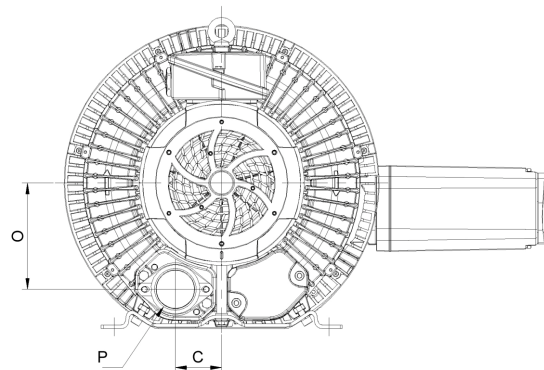
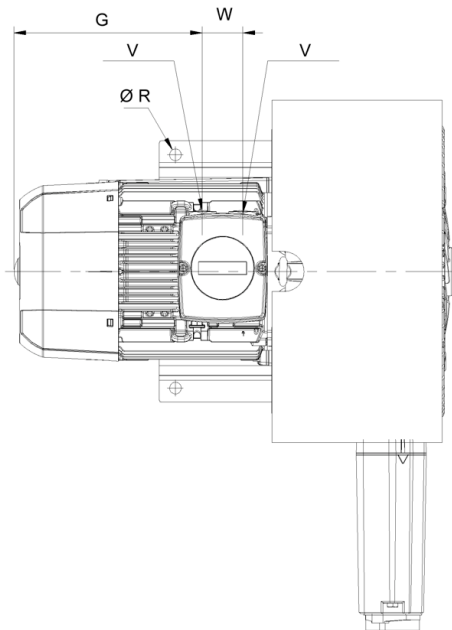
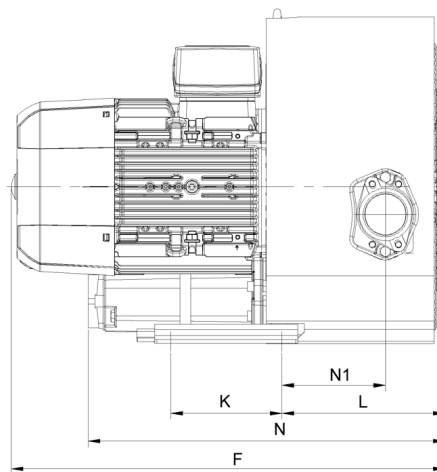
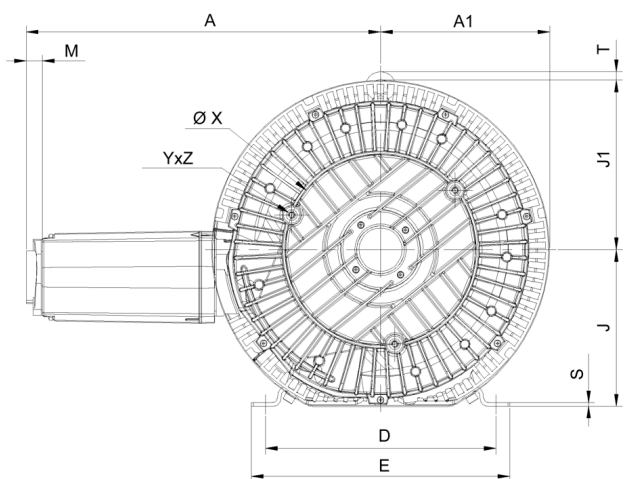
Curves



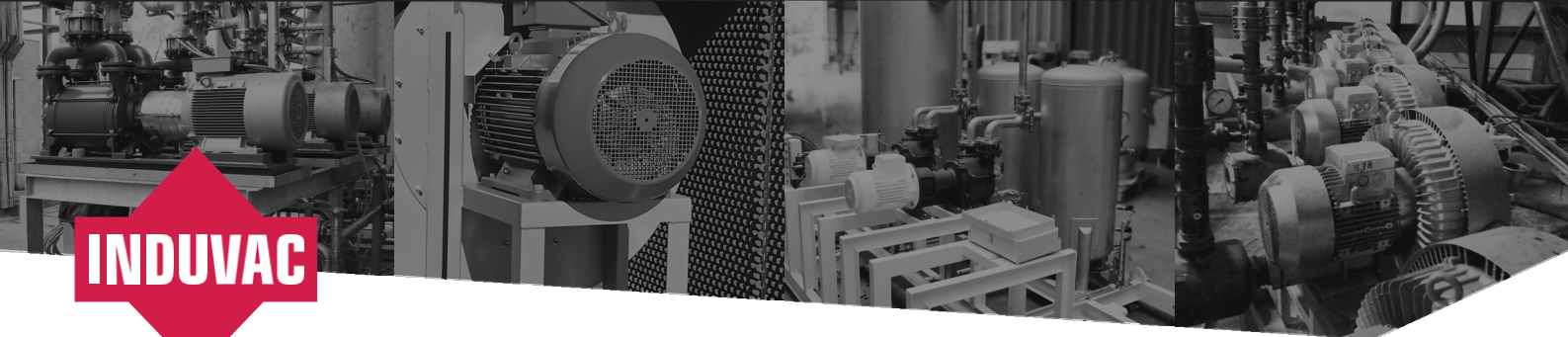
Curves are valid for dry air, with a temperature of 15°C at the inlet and a pressure of 1013 m bar(a) at the inlet or outlet connection (for over- or under-pressure application respectively). The tolerance on capacity is +/- 10%. No rights can be derived from the sketches, dimensions and contents of this data sheet. The data is for information purposes only. Induvac reserves the right to change or modify the data. No complaints can be made about this.



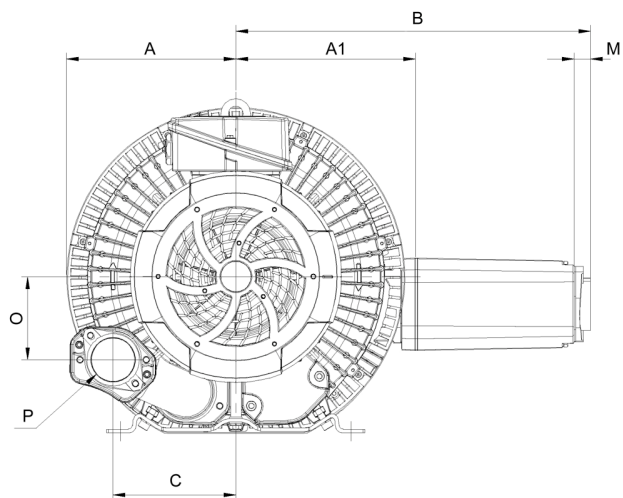
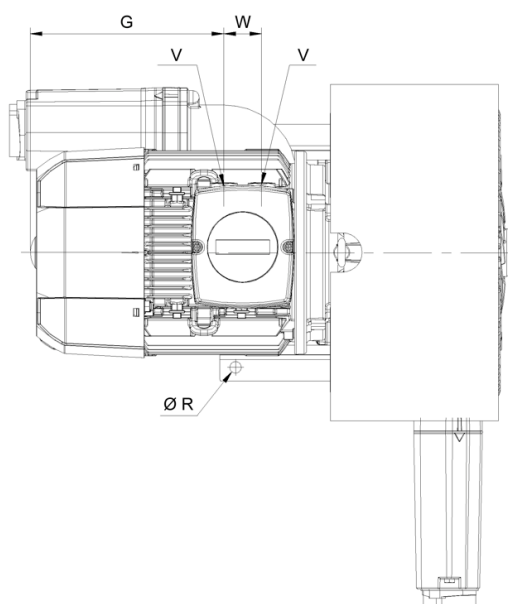
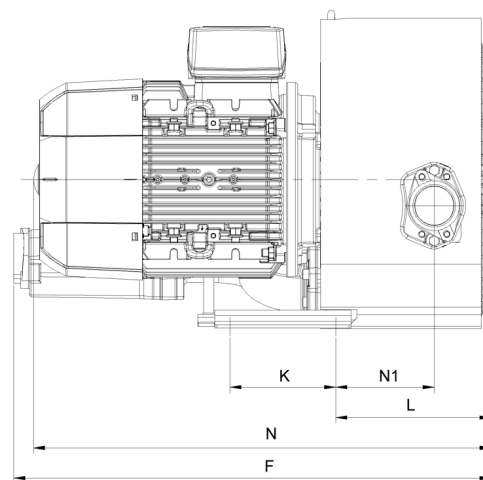
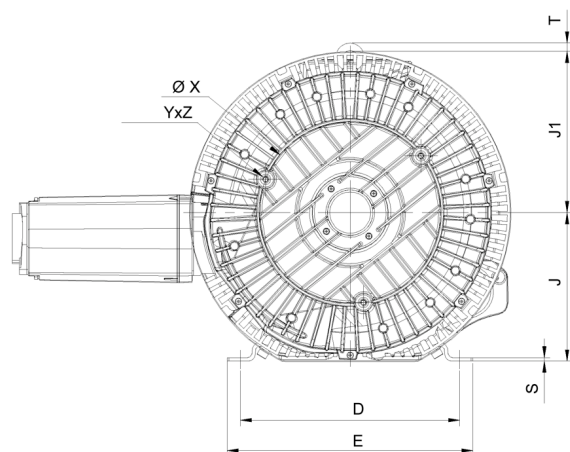
Dimensions



Curve No.	Type	A	A1	C	D	E	F	G	J	J1	K	L	M
72A / 72B	VC 322-720	446	213	62	290	325	534	247	197	132	140	205	21
72C / 72D	VC 340-720	446	213	62	290	325	562	250	197	132	140	205	21
Curve No.	Type	N	N1	O	P	ØR	S	T	V	W	YxZ	ØX	
72A / 72B	VC 322-720	450	130	144	2"	15	4,5	11	M25 x 1,5	48	3 x M10 x 20	240	
72C / 72D	VC 340-720	450	130	144	2"	15	4,5	11	M32 x 1,5	48	3 x M10 x 20	240	



Dimensions



Curve No.	Type	A	A1	B	C	D	E	F	G	J	J1	K	L	M
72E / 72F	VC 350-720	213	226	446	154	290	325	631	244	197	213	140	205	21
72G / 72H	VC 375-720	213	226	446	154	290	325	655	294	197	213	140	205	21
Curve No.	Type	N	N1	O	P	ØR	S	T	V	W	YxZ	ØX		
72E / 72F	VC 355-720	605	130	104	2"	15	4,5	11	M32 x 1,5	48	3 x M10 x 20	240		
72G / 72H	VC 375-720	631	130	104	2"	15	4,5	11	M32 x 1,5	48	3 x M10 x 20	240		